



EBOMAC
The  ight electrical choice



إبوماك
الأختيار الكهربائي الأمثل

LOW VOLTAGE FINAL DISTRIBUTION BOARDS (DB)



Technical data:

Standard compliance to :

MEW S1/IEC 60439-1	:	Panel construction
IEC 60529	:	Degree of protection
BS 159/IEC	:	Busbars/Connections
IEC 60947	:	Breakers/Contactors/Other components
BS 88/IEC 60269	:	Fuses
And other relevant standards.	:	Kuwait Oil Company(KOC) Specifications Kuwait National Petroleum Co.(KNPC) Specifications

System : 1 Phase / 3 Phase & Neutral + Earth

Rated operational voltage & frequency (Ue,f)	:	415/240V*, 50Hz.
Rated insulation voltage (Ui)	:	690V
Rated impulse withstand voltage (Uimp)	:	6 KV
Overvoltage category	:	III
Pollution degree	:	2

*Other voltages on request.

Fault level rating :

Rated short time withstand current for busbars (Icw)	:	6KA/10KA for 1sec. (15KA on request)
Rated peak withstand current for busbars (Ipk)	:	10.2KA/17KA

Busbars : Tinned Electrolytic Copper with 99.9% purity(BS 1482)

Marked(BS 159)	:	for phase identification (colour coded-partly painted)
Rating	:	RYB...100A
	:	N, E... Brass terminals

Enclosures :

Material	:	Electro galvanized, Zinc coated steel sheet
Painting	:	Powder coating, Shade RAL-7032, light grey.
Degree of protection(IEC 60529)	:	IP 42 / IP 52 for indoor installation IP 54 for outdoor installation
Form of internal separation(IEC 60439-1)	:	Form 1
Cable entry	:	Top or Bottom(Pre-punched knockout holes provided on top & bottom of box)

EBOMAC DBs offers advantages that sets safety & ease of maintenance

- Totally enclosed, front accessible
- Mounting plate consisting of ;
MCBs, Isolators, COELCBs, Busbars+branches, Contactors, Fuses
- Provided with fixed front plate & hinged door
- Isolator, MCBs, COELCBs cannot be operated without opening the hinged door. To obtain access to Isolator, MCBs, COELCBs it should be necessary to remove the fixed front plate.
- Top or Bottom cable entry with pre-punched knockout holes on top & bottom plate of box.
- All components are properly labelled with a special self adhesive paper for markup.

DISTRIBUTION BOARDS SELECTION CHART

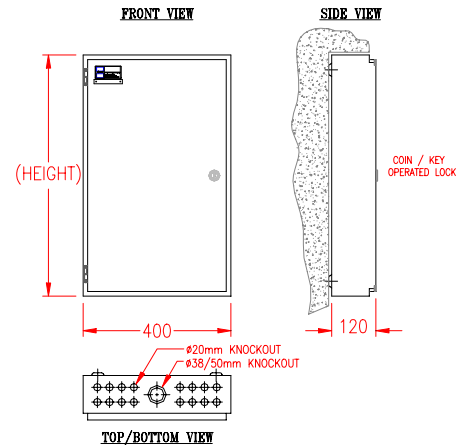
A particular DB of certain specification can be ordered directly by quoting corresponding legend code. Developing legend code is a simple matter.

- Step 1 –** Depending upon number of ways select the extreme right letter.
S – for single busbar system
D – for double busbar system
- Step 2 –** Depending upon incoming device select 2nd digit from right as per table given.
- Step 3 –** Depending upon supply system select third letter from right
1 – for SPN
2 – for TPN
This will give a three digit code.
- Step 4 –** Select the box size for required number of ways (given on LHS)

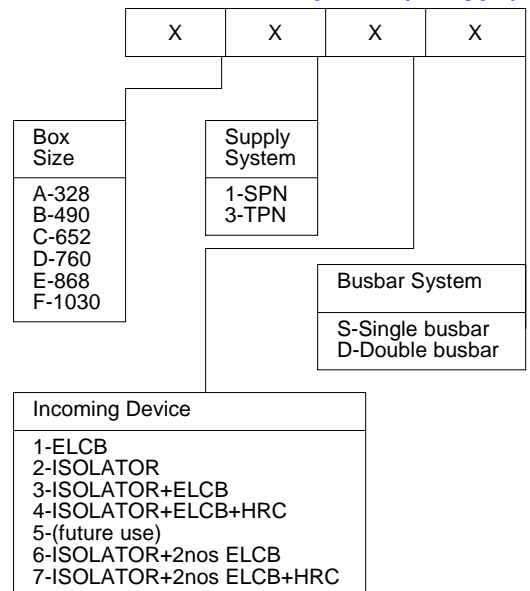
Ex:- For double busbar system with isolator & 2nos ELCBs as incoming for a TPN the three digit code is 36D. If the combination of number of ways is 6 for power & 6 for lighting, the box type required will be D. Legend code will be **D36D** and DB is completely defined as:

DB type **D36D** – number of ways 6 + 6

DB Codes based on number of ways											
DB box code	Box-size Height mm	11S	12S	13S	16D	31S	32S	33S	36D	34S	37D
A	328	6 10	6 10	6 8		2 4	2				
B	490	12 18 26	12 18 26	10 24	6+6 8+8	3 6 8	5 6 8	5 6	2+2		
C	652	28 36 44	28 36 44	26 36 40	10+16 12+18 16+16	10 12 14	10 14	8 10 12	2+4 2+6 4+4 4+6	2 4	
D	760					16 18	16 18	14 16	4+8 6+6 6+8	6 8	2+2 2+4
E	868							18 20	5+10 6+8 8+8	10 12	4+4 4+6
F	1030							22 26	8+10 10+10	14 18	6+8 8+8



LEGEND development (DB type)



➤ The combination mentioned in selection chart are standard, generally used for projects and domestic use. We can also design & supply distribution boards to any non standard requirements. Please contact our sales/design department regarding such enquiries for technical details and physical dimensions.

Development is a continuous process thus ebomac reserves the right to change data or design without any prior notice.

Electrical Boards Manufacturing Co. K.S.C.

Office & Factory:-.....
Sabhan Industrial Area
 P.O.Box 25428, Safat 13115 Kuwait
 Tel. : +965 472 7550.....
 Fax. : +965 476 5059, 476 3016
 E-mail : ebomac@ebomac.com

Website : www.ebomac.com



Showrooms:-.....

Shuwaikh-Tel: 4812260 fax: 4812202
 Hawalli- Tel: 2656704 fax: 2624704

DESIGN ENGINEERING DEPT.
 Ref: *EBMC/LF-DB/2002 Vol.1*